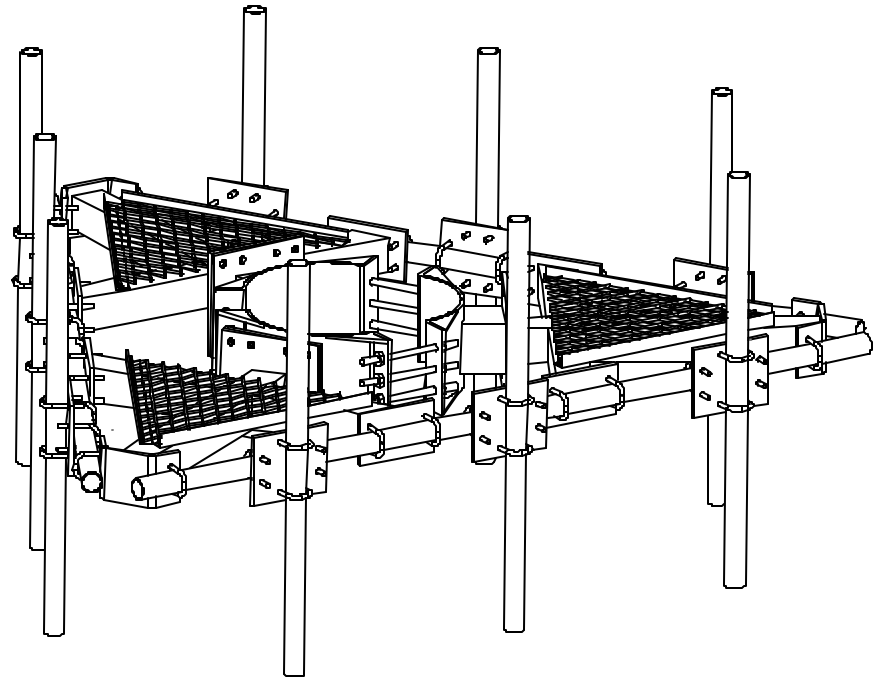
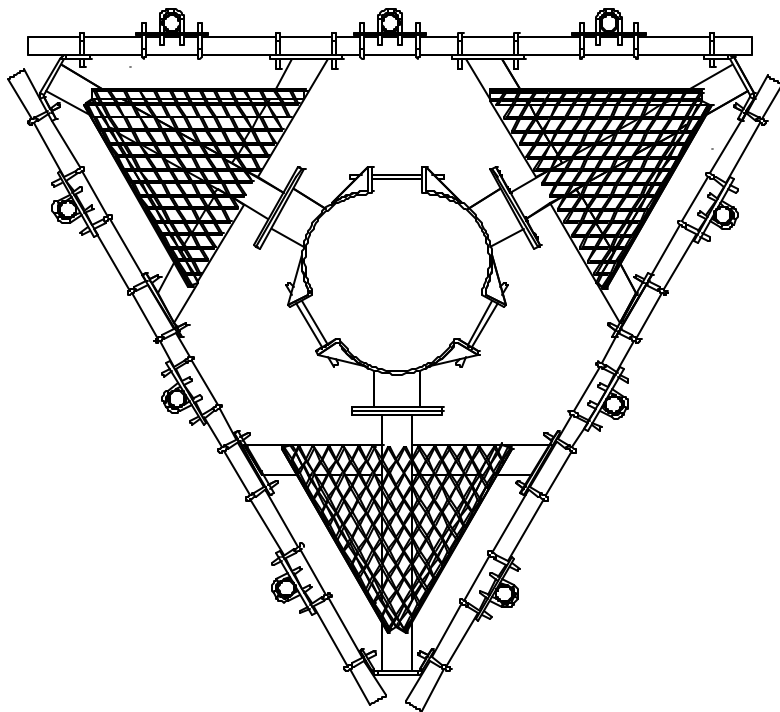


ADJUSTABLE MOUNTING PLATFORM

MODEL SHOWN FEATURES
96" PIPE SUPPORT SYSTEM



Glen Martin Engineering, Inc.



13620 Old Hwy 40
Boonville, MO 65233
(660) 882-2734
Fax (660) 882-7200
www.glenmartin.com

Drawn by PCT 05/23/01
CAD File: 18 Monopole/Platform Assembly_dwg